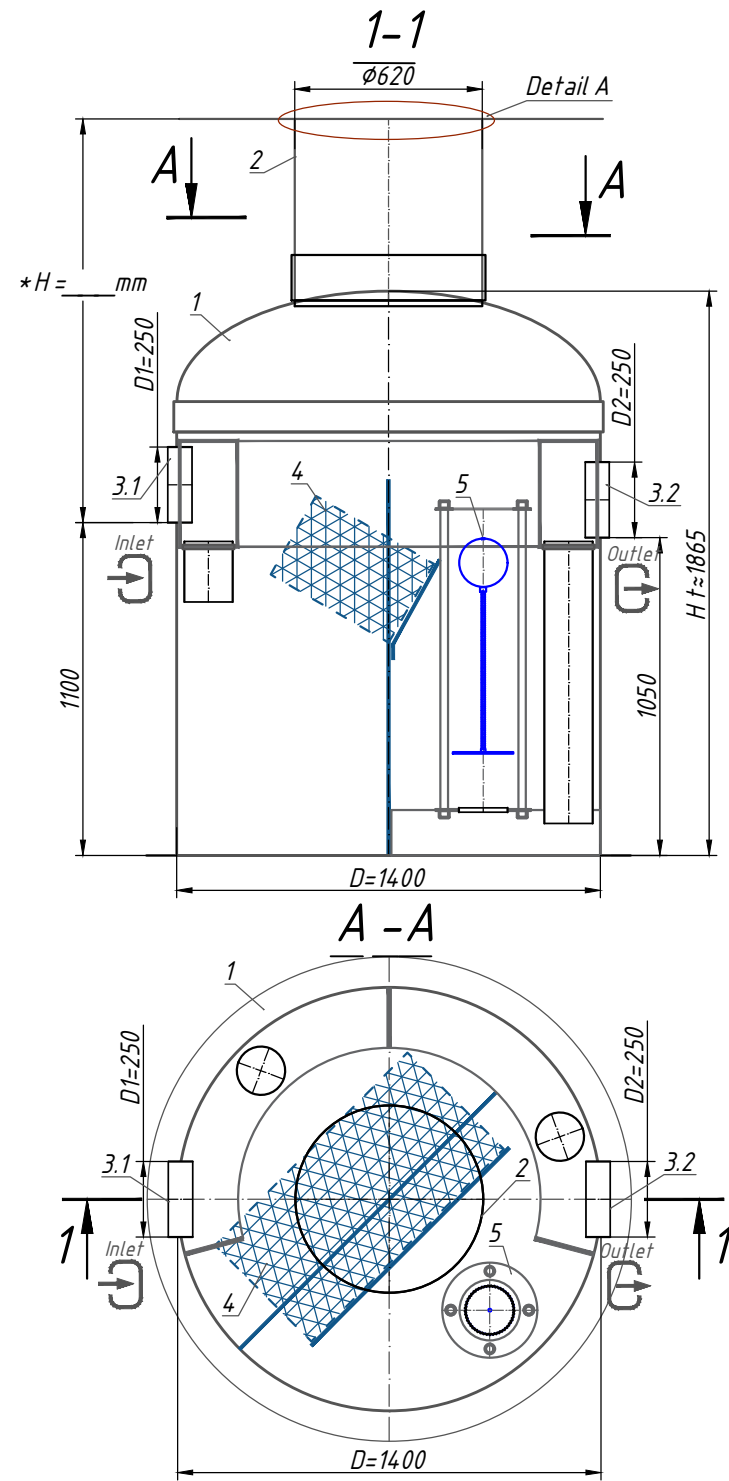
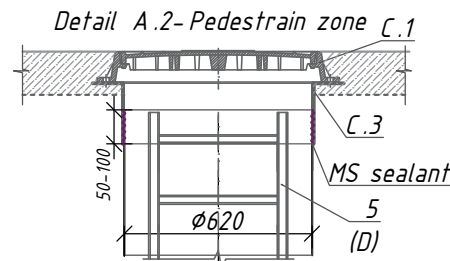
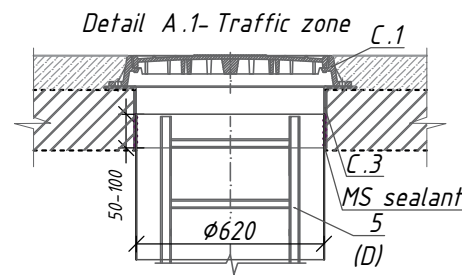


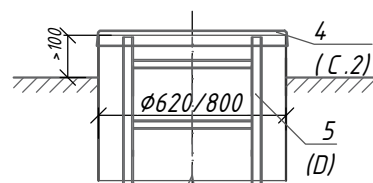
Oil and sand Separator OilBase100 -6/30 (M 1:25)



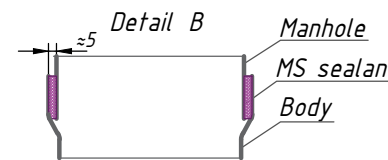
A - Manhole design *



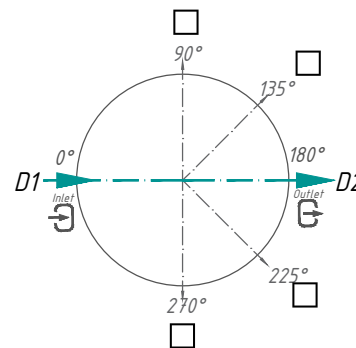
Detail A.3 - Green zone



B - Fixing the manhole with the body ***



C - Pipes location D1- Inlet / D2- Outlet on plan



Specification of materials and equipment. Standard equipment ** (Tabl. 1)

| Pos. | Identification | Name | Q-ty | Mass pc.,kg | Note |
|---------|----------------------|---|------|-------------|--------|
| 1 | Vodaland | Oil and sand Separator Vodaland OilBase100 -6/30, disch. 6 l/s, (30 l/s -ByPass) fiberglass, D= 1400, Ht≈ 1865 mm | 1 | 192 | compl. |
| 2 | | Inspection manhole Ø800 / 620 | 0/ 1 | | compl. |
| 3,1,3,2 | D1-Inlet / D2-Outlet | Rubber seal for connection PVC SN4 Ø 250 | 2 | | compl. |
| 4 | | Coalescent block | 1 | | compl. |
| 5 | | Automatic locking device 160 | 1 | | compl. |
| | | Volume of light liquids | 300 | | l |
| | | Volume of sludge trap | 600 | | l |

**The product is shipped according to Standard Equipment (Tabl. 1), unless otherwise specified in the Additional Equipment (Tabl. 2)

Additional equipment (Tabl. 2)

| Pos. | Identification | Name | Note |
|-------------------------------|--|--|---|
| A, B | D1-Inlet / D2-Outlet: | ⊗ ⊗ | |
| | | A.For connection D1, D2: | PVC <input type="checkbox"/> <input type="checkbox"/> |
| | | PE 100 <input type="checkbox"/> <input type="checkbox"/> | |
| | | Corsis <input type="checkbox"/> <input type="checkbox"/> | |
| | | B.Diameter D1, D2: | D1 _____ / D2 _____ <input type="checkbox"/> <input type="checkbox"/> |
| | Another: _____ <input type="checkbox"/> <input type="checkbox"/> | | |
| C | Manhole design (see A.1, A.2, A.3) | C.1 Cover: | Garden plastic <input type="checkbox"/> |
| | | Load class A15 <input type="checkbox"/> | |
| | | Load class C250 <input type="checkbox"/> | |
| | | Load class D400 <input type="checkbox"/> | |
| | | C.2 Fiberglass cover: | Ø620 <input type="checkbox"/> |
| C.3 Fiberglass adaptor plate: | Ø620, h=200 mm <input type="checkbox"/> | | |
| | Another: _____ <input type="checkbox"/> | | |
| D | D. Universal ladder | Aluminium <input type="checkbox"/> | |
| | | s/s <input type="checkbox"/> | |
| E | E. Fastening | Belt fastening for <input type="checkbox"/> | |
| H | H. Level sensor | Sludge <input type="checkbox"/> | |
| | | Oil <input type="checkbox"/> | |
| | | Another: _____ <input type="checkbox"/> | |

Note:

*H-depth of the inlet connection, mm (in standard equipment H up to 2000 mm). H take a multiple of 50mm. When filling the manhole A.1-the overall height of the product is less than 200mm; A.2-the total height of the product is bigger than 100 mm.

**The product is shipped according to Standard Equipment (Tabl. 1), unless otherwise specified in the Additional Equipment (Tabl. 2). The complete set of the product agrees with the manager.

***The product is shipped according to Standard Equipment (Tabl. 1), unless otherwise specified in the Additional (Tabl. 2) Permissible deviation during production of products is 1-3%.

Additional Information:

| Rev. | Q-ty | Sh. | Nºdoc. | Sign. | Date | Stage | Sheet | Sheets | |
|--|------|-----|--------|-------|------|-------|-------|--------|--|
| | | | | | | | | | |
| Oil and sand Separator OilBase100 -6/30 (OB1- 6) | | | | | | | | | |